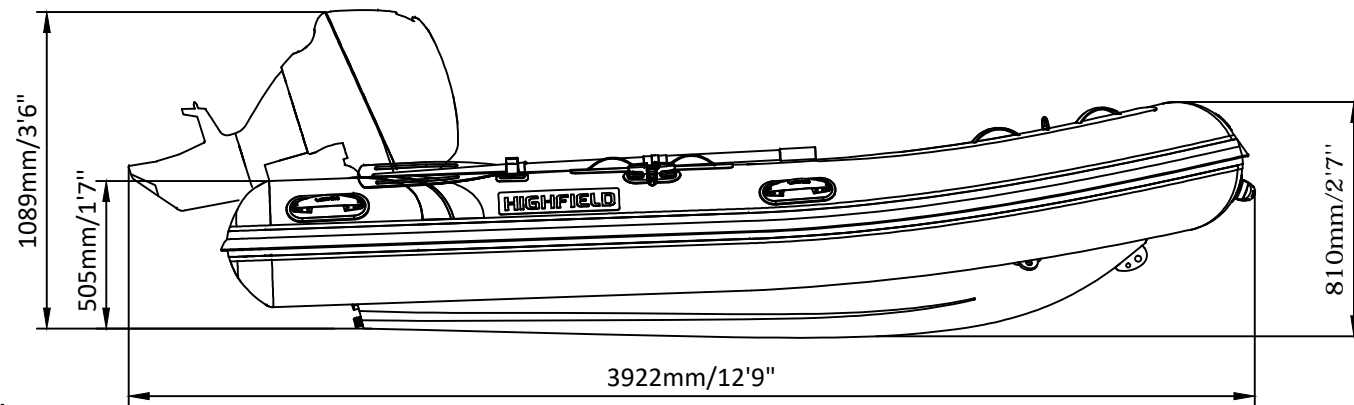
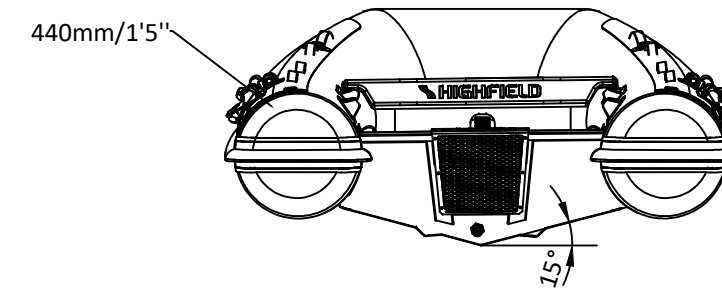


CLASSIC 360

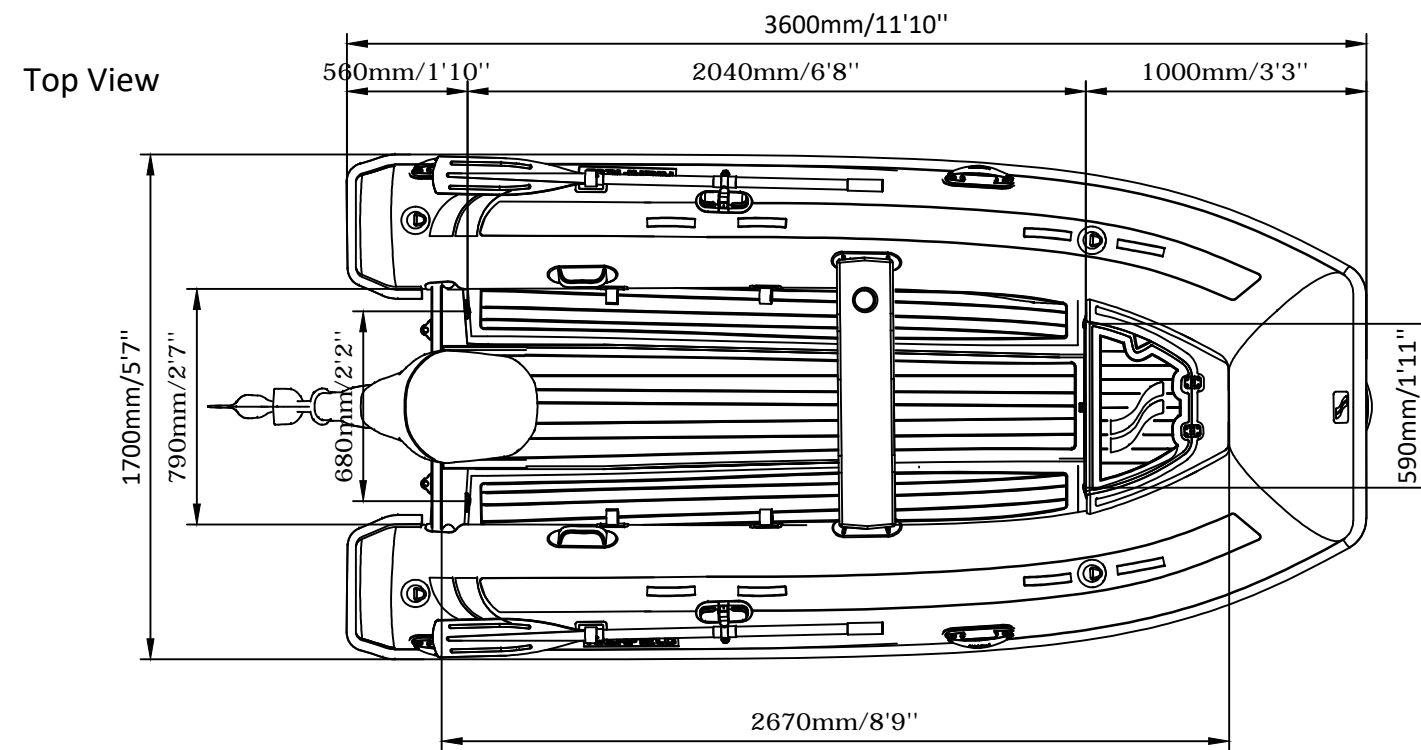
SPECIFICATIONS



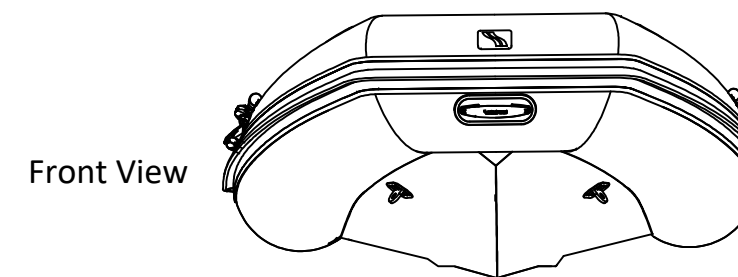
Side View



Rear View



Top View



Front View

SPECIFICATIONS AND MAXIMUM CAPACITIES (Subject to change without notice. Tolerances: Dimensions ±2.5% Weight ±5%)

MODEL	ISO 6185 PART	ISO 6185			#			Shaft	Outboard Engine				Molded seat		Oar		Fuel tank Capacity		Rollbar		Wet Weight (Approximate) 30HP (22.38KW)		AIR CHAMBERS				
			KG	LB		KG	LB		Max power	Max weight	KG	LB	KG	LB	KG	LB	L	GAL	KG	LB	KG	LB		PSI	BAR		
									KW	HP	KG	LB															
CL360	3	C	561	1237	6	450	992	S	22.38	30	124.1	274	75	165	3	6.6	2	4.4	/	/	/	/	199.1	439	3	3.63	0.25

Weight: Boat only, not including molded seat, oars and other accessories.